

(12) **United States Patent**
Katulka

(10) **Patent No.:** US 6,607,232 B2
 (45) **Date of Patent:** Aug. 19, 2003

(54) **GAS SAVER AIR FOIL STABILIZER**

(76) **Inventor:** Michael A. Katulka, 2300 SW. 154th Ave., Davie, FL (US) 33326

(*) **Notice:** Subject to any disclaimer, the term of this patent is extended or adjusted under 35 U.S.C. 154(b) by 0 days.

(21) **Appl. No.:** 10/032,865

(22) **Filed:** Dec. 26, 2001

(65) **Prior Publication Data**

US 2003/0116991 A1 Jun. 26, 2003

(51) **Int. Cl.⁷** B62D 25/00

(52) **U.S. Cl.** 296/57.1; 296/37.6

(58) **Field of Search** 256/57.1, 376, 256/160.18, 36, 100.07, 165, 183, 26.11, 180.1

(56) **References Cited**

U.S. PATENT DOCUMENTS

3,749,440 A	*	7/1973	Lathers	296/57.1
4,691,956 A	*	9/1987	Hodge	296/57.1
4,705,179 A	*	11/1987	Lathrum	212/180
4,778,213 A	*	10/1988	Palmer	296/57.1
4,787,809 A	*	11/1988	Zrostlik	414/557
4,813,842 A	*	3/1989	Morton	296/57.1
4,861,093 A	*	8/1989	Chapman	296/57.1
4,902,066 A	*	2/1990	Norman	296/57.1
4,905,780 A	*	3/1990	Goff, III	177/136
4,944,546 A	*	7/1990	Keller	296/61

5,069,498 A	*	12/1991	Benchoff	296/37.6
5,236,242 A	*	8/1993	Seeman	296/57.1
5,419,672 A	*	5/1995	Poe	414/462
5,427,425 A	*	6/1995	Droesch	296/57.1
5,449,212 A	*	9/1995	Seifert	296/57.1
5,468,037 A	*	11/1995	Peterson et al.	296/57.1
5,498,049 A	*	3/1996	Schlachter	296/37.6
5,669,654 A	*	9/1997	Filers et al.	296/57.1
5,707,095 A	*	1/1998	Pribak et al.	296/57.1
5,788,311 A	*	8/1998	Tibbals	296/26.11
5,816,638 A	*	10/1998	Pool, III	296/57.1
5,826,932 A	*	10/1998	DeSimone	296/57.1
5,857,724 A	*	1/1999	Jarman	296/57.1
6,126,223 A	*	10/2000	Rayburn	296/57.1
2001/0024046 A1	*	9/2001	Mizuta	296/57.1
2002/0096903 A1	*	7/2002	Renke	296/57.1

* cited by examiner

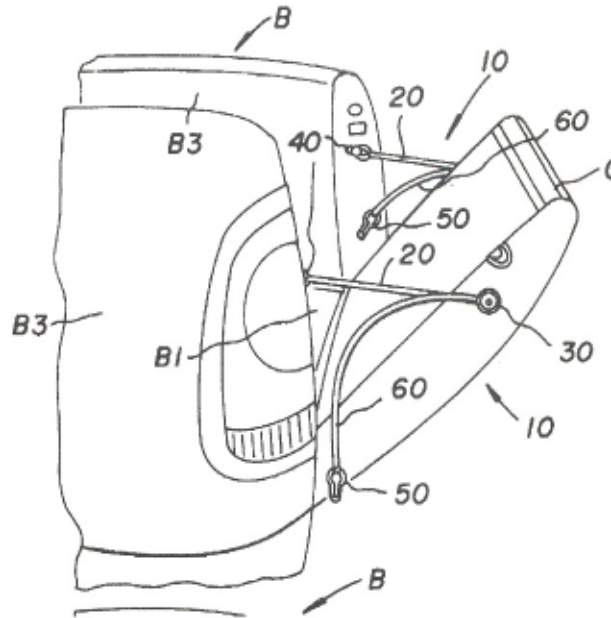
Primary Examiner—Kiran Patel

(74) *Attorney, Agent, or Firm*—Frank L. Kubler

(57) **ABSTRACT**

A gate supporting assembly for a truck bed having a bed bottom wall, a bed wall and a bed gate, the bed gate being pivotally secured to the bed to pivot upwardly to close the bed and to pivot downwardly to become substantially horizontal and thereby open the bed, includes a gate supporting mechanism releasibly supporting the gate at an angle substantially midway between horizontal and vertical, to retain cargo while minimizing drag, increasing fuel efficiency, providing air foil traction enhancement while leaving the rear bumper exposed and functional.

12 Claims, 3 Drawing Sheets



GAS SAVER
AIR FOIL STABILIZER

ELECTRIC LINE ASSOC.

MIKE KATULKA – CEO

3949 SW 12TH COURT • FT. LAUDERDALE, FL 33312

P: 954-584-1642 • F: 954-584-6865

Email: mkatulka@aol.com

** available for patent licensing, sales or manufacturing**